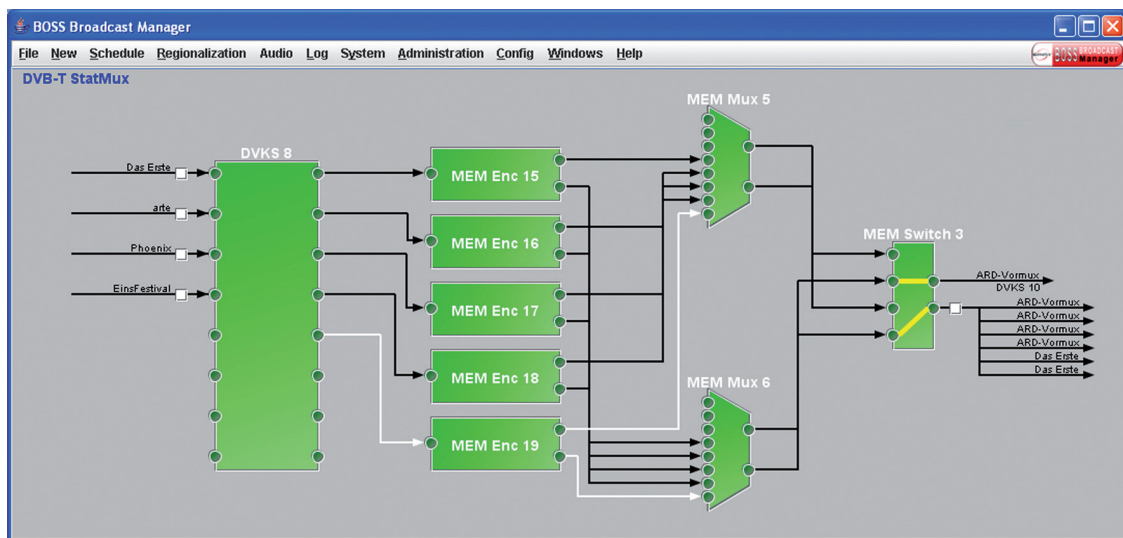


Dimetis BOSS BROADCAST Manager

Single Platform, Vendor Independent End-to-End DVB/ATSC Management System

The Dimetis BOSS BROADCAST Manager is a management system for the configuration, control and monitoring of devices and services within DVB/ATSC multiplex centers and broadcast networks. Due to its flexible device driver architecture, it can control devices and element managers from any manufacturer. Supported protocols include SNMP, CORBA, XML, Serial and GPI.

It features a sophisticated graphic editor in which an accurate representation of the system can be configured using easy drag-and-drop operation. To allow for arbitrarily complex architectures, devices can be organized in hierarchical zones. Alarms are propagated upwards in the hierarchy and the user can drill down into the hierarchy to easily find the faulty device. As Dimetis BOSS BROADCAST Manager is aware of the TV services flowing through the system, the path of each service can be highlighted individually to help in troubleshooting. Dimetis BOSS BROADCAST Manager supports a comprehensive set of redundancy switching features. Upon failure of an encoder, its functionality can be replaced automatically by a redundant device. It also captures the configuration of the multiplexers in "Events" and these can be triggered manually or scheduled. This "Events" feature can be used for recurring changes in the transport stream as is the case for regionalization or one-time changes like changing the signal source to a backup feed when the primary feed is down for maintenance.



Features

- Vendor independent
- User assignable views
- Modular structure, flexible and scalable
- Logging of all actions and alarms

Benefits

- Reduced Capex and Opex
- Secure operation
- Most efficient solution based on customer's requirements
- Easier troubleshooting

Multiplex Managing Features

- Configuration of all devices (encoder, decoder, multiplex, routers/switches)
- Configuration of the signal paths (connection between the devices)
- Integration of complex sub systems (e.g. StatMux controller)
- Multiple Transport Stream generation
- Regionalization of multiplexes (dynamic PMT)
- SDI/ASI and IP router switching
- Automatic redundancy switching (1:1, n:1, n:m)
- Monitoring of all devices
- Graphic display of all device status
- Detailed view of devices or layers
- Automation of complex routing/switching processes (e.g. time and event controlled, regionalization of programs)
- Integration of SI management and SI data synchronization
- ATSC/DVB-T features
SFN networks, management of SFN adaptors and local NIT insertion

General Features

- Easy and flexible configuration of all components and signals (online)
 - MIB-Importer
 - SNMP-OID Management
 - Definition of new device types (classes) and devices (objects)
 - Graphic Editor
 - Object Management
- User authorization/authentication
- Central Alarm Management
 - Active Polling
 - Trap collecting
 - Effective error correlation
 - User messages
- Supervision of the entire DVB/ATSC broadcast network
 - Colored display of all devices and services depending on the status
 - Display of different system layers
 - Hierarchical views

System Requirements

- Client/Server architecture
- Java application
- Client runs under Internet Explorer and Netscape
- (Optionally) Redundant Server (Cluster)
- Central Database (Oracle)

Contact

Dimetis GmbH
Justus-von-Liebig-Straße 9
63128 Dietzenbach
Germany

phone: +49(0)6074 30100
fax: +49(0)6074 3010301
mail: info@dimetis.de
web: www.dimetis.de